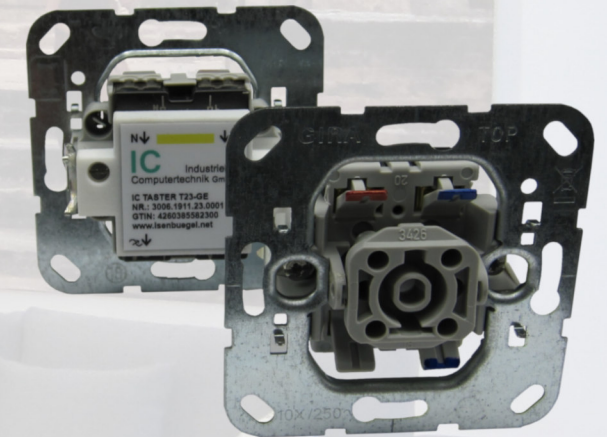


Nr.:3006.1911.23.0001

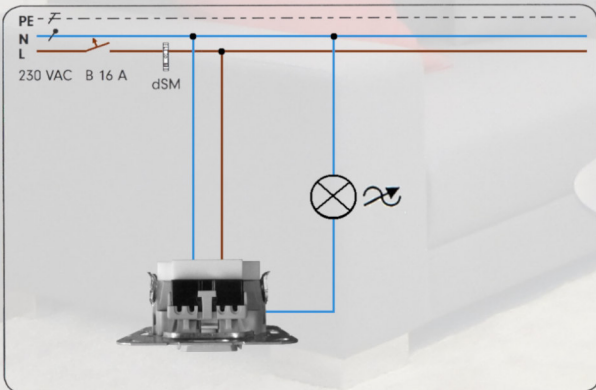
## digitalSTROM IC Taster T23-GE with dimming output



Our dS button series in format 55 is suitable for the rockers and frames of the GIRA Standard, E2, E3, Event, Esprit and Classix series.

article no.: 3006.1911.23.0001

GTIN: 4260385582300



IC Industrielle  
Computertechnik GmbH

Konkordiastr. 11  
D-40219 Düsseldorf  
Telefon: +49 211 9011680

[www.isenbuegel.shop](http://www.isenbuegel.shop)  
[www.isenbuegel.net](http://www.isenbuegel.net)

[info@isenbuegel.net](mailto:info@isenbuegel.net)



We are digitalSTROM alliance partners

## Brief description:

Thanks to an innovative design, it has been possible to integrate the digitalSTROM electronics in an adaptation module, which is mounted on a Gira button (item no.: 8618-00). The module is contacted and screwed to the button via high-quality pin contacts. The IC button T23-GE button can be installed in a simple flush-mounted box thanks to its flat design. Only the lines phase L and neutral conductor N, as well as L1 of the lamp are connected to the button via integrated spring terminals.

After the electrical connection, the dSready product IC Taster T23-GE automatically registers in the circuit distributor. The device is then immediately ready for operation. The basic setting is configured as a device button with the switched function. Changes can be made in the hardware configurator in the dS system.

The built-in electronics correspond to the technical values of the GE-TKM 300 and therefore have excellent dimming properties. Even without a digitalSTROM system, the IC button T23-GE can be used as a dimmer up to 150 watts or 105 VA in an electrical installation after appropriate configuration.

## Advantages:

- space-saving installation also in flat boxes
- Significant time savings - no wiring
- any errors when connecting are eliminated
- without parameterization, immediately ready for use
- dS ready

Geräte Name: IC Taster T23-GE  
Geräte ID: 0052e24f  
Geräte dSID: 302ed89f43f045000052e24f  
Geräte dSUID: 302ed89f43f0000000045000052e24f00

**Einstellungen** Erweiterte Einstellungen Blinken Übergangszeit

Typ: Taster

Taster: Rauntaster

Tasternutzung: Taster wurde noch nicht benutzt.  
setze auf 'unbenutzt' setze auf 'benutzt'

Ausgang:  geschaltet  
 gedimmt  
 deaktiviert

**Example:** frame made of glass in the color mint, with button in pure white.



Matching button tops in a number of colors, as well as single and multiple frames, can be obtained from specialist retailers. The IC button T23-GE in 55mm format is suitable for the rockers and frames of the Gira Standard, E2, E3, Event, Esprit and Classix series.

digitalSTROM® is a registered trademark of Digitalstrom AG  
GIRA® is a registered trademark of Giersiepen GmbH&Co.KG

Geräte Name: IC Taster T23-GE  
Geräte ID: 0052e24f  
Geräte dSID: 302ed89f43f045000052e24f  
Geräte dSUID: 302ed89f43f0000000045000052e24f00

**Einstellungen** **Erweiterte Einstellungen** Blinken Übergangszeit

Taster:  
Verwendete Stimmungen: Stimmung 0-4

1x Klick: Stimmung 1  
2x, 3x, 4x Klick: Stimmung 2-4

Lokalpriorisierung bei 1x Klick  
 Bei Abwesenheit 'Kommen' aufrufen

## Technical specifications:

Rated input voltage/frequency.... 230 V AC/50 Hz  
Power consumption ..... approx. 0.2 W  
Frame dimensions..... 55 x 55mm  
installation depth..... 31mm  
Spring terminals..... max. 2.5 mm<sup>2</sup>  
Permissible ambient temp. (Operation)....  
..... 0 °C ... +40 °C

Permissible ambient humidity (operation)  
< 70% RH non-condensing

Data transmission via 230 V AC network  
digitalSTROM protocol V1.0

Output to the illuminant:  
≤ 150 watts  
≤ 105VA  
≤ 105 watts/LED ( Max. 1 LED )

The delivery takes place as an adaptation module, mounted on a Gira button, but without button rockers and frames. These are not part of the delivery.

**RoHS**



IC Industrielle Computertechnik GmbH